

XAVIS' NEWS

January, 2019

NEW PRODUCT All New X-ray System FSCAN-4280DW

" XAVIS released all new x-ray inspection system, FSCAN-4280DW for small/mid size products as a best selling model"

■ Improved machine safety

The shielding tunnels into which the products are inserted are longer by 150mm of each side, and the x-ray emission has been reduced. Therefore, the stability of the worker in the production line is increased.

■ Extended warranty

The stability of the x-ray generator has been improved by more than 150%. As a result, the basic warranty of this model can be increased to two years.

■ Improved sanitary design

The upper and lower frames of the equipment are made with slope hygiene design. In addition, all shielding curtains use lead-free curtains with FDA approved.

■ High speed inspection system

200 meter per a minute approximately up to 400~600 pcs per a minute can be inspected. (Inspected pcs can be vary depending on a dimension of products.



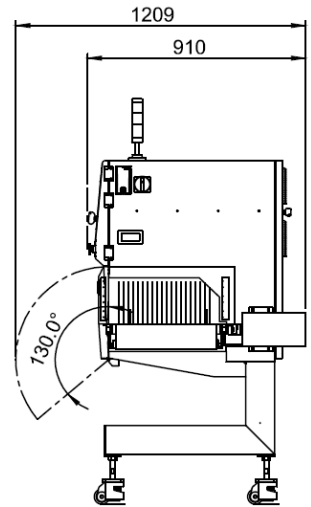
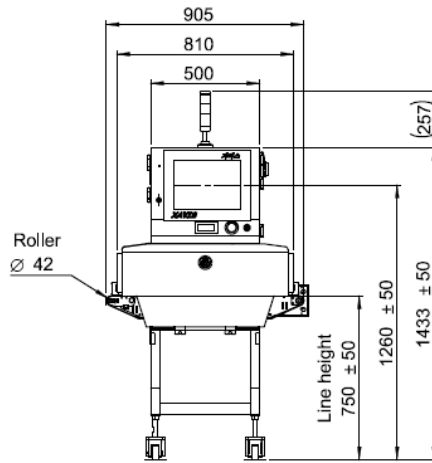
XAVIS

What has changed?

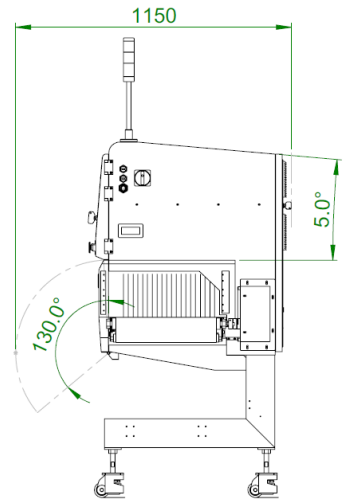
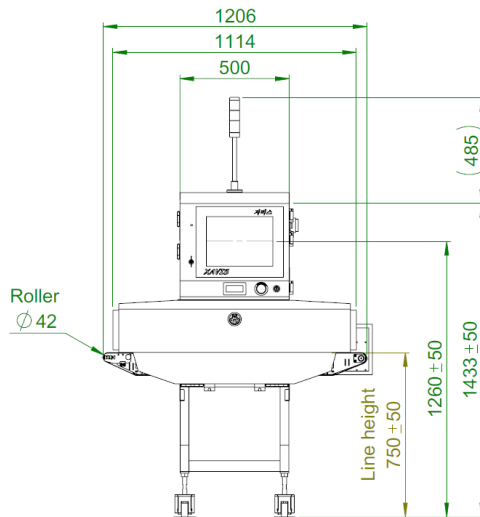
Major facts of improvement

Improved Design

Existing Model



New Model



- The extended shielding tunnel and sanitary slope design
- Easy maintenance for one person

